

Data sheet plastic mop holder

Description:

Scandic Mono holder 60 cm

Item no.:

0206

Total weight (± 10 g):

430 g

Dimensions:

Length L:

9 cm

Width B1 :

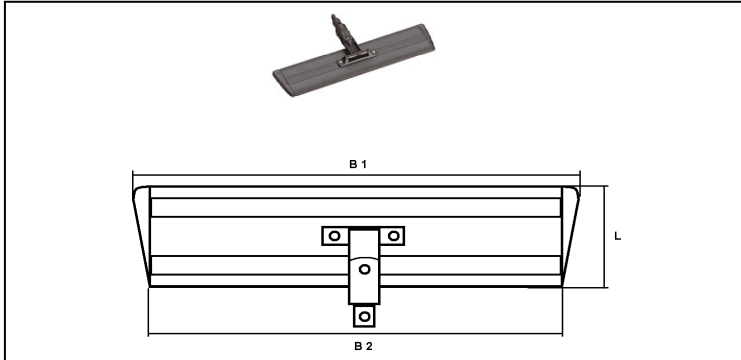
60 cm

Width B2:

57 cm

Handle diameter:

2,35 cm



Holding plate:

Material: **Polyoxymethylene**

Colour : **anthracite**

Joint handle:

Material: **Polyamide / Polyoxymethylene**

Colour: **anthracite**

Mop fixation:

Material: **Velcro profile, 2 stripes**

Dimension: **560 x 22 mm**

Special features:

Used for all handles with a handle diameter of 2,35 cm.

All details are estimates only!

Subject to technical changes!

With issuing this data sheet, all other versions become invalid!

Date:

17.03.2009

Name:

T. Flor

Release:

H. Unterweger